

NEMA Full Voltage Power Devices

NEMA Rated Full Voltage Starters - Magnetic

CR306, CR386 Magnetic Starters

Section 1

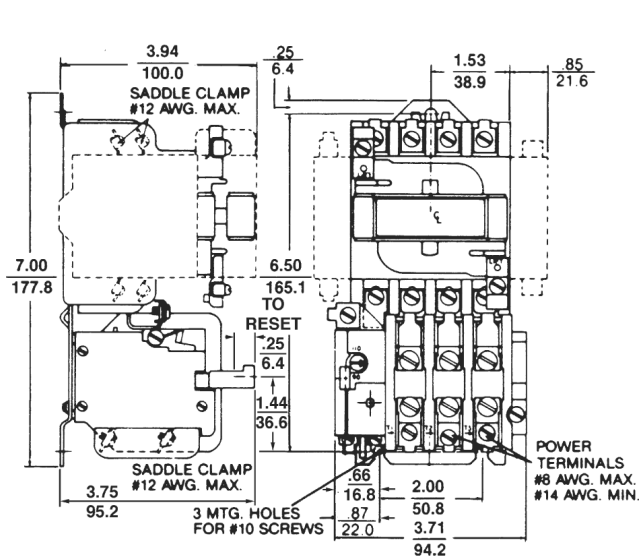
Nonreversing, Non-combination

200 Horsepower Maximum

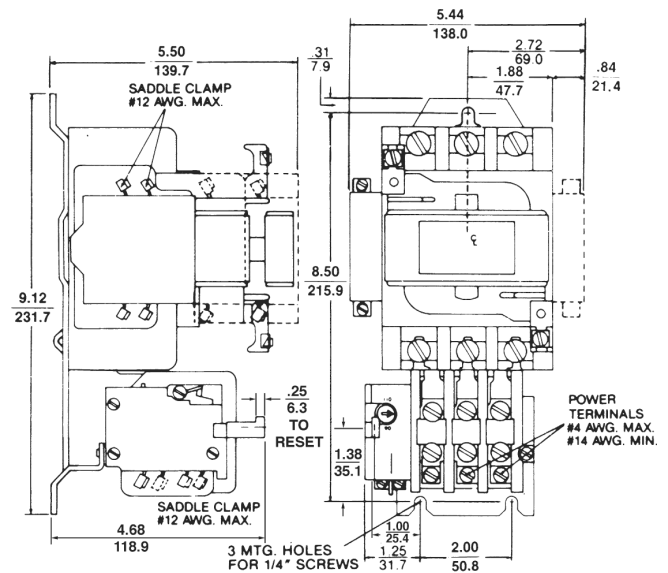
NEMA Sizes 00-5

600 Volts Maximum

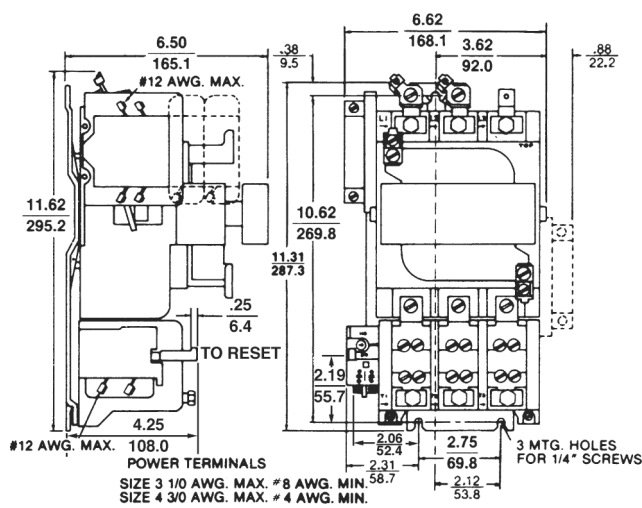
Outlines, Dimensions ($\frac{\text{in.}}{\text{mm}}$) and Weights (For Estimating Only)



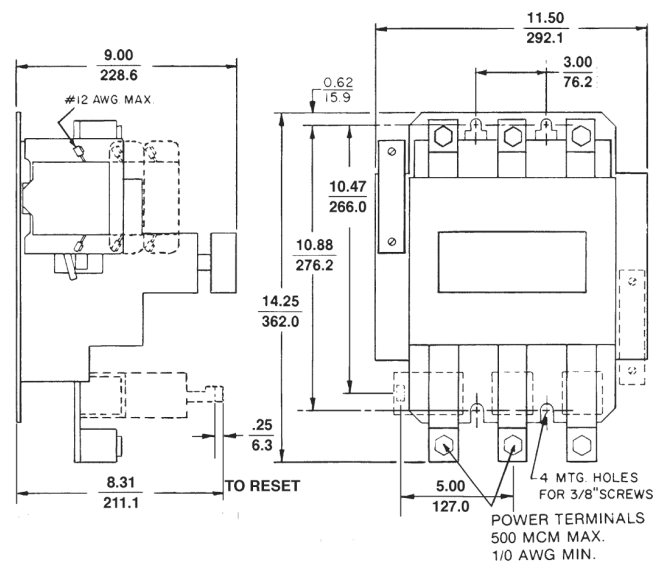
Open Type, NEMA Sizes 00-1 (3 3/4 lbs.)



Open Type, NEMA Size 2 (8 lbs.)



Open Type, NEMA Sizes 3 (19 lbs.) and 4 (20 lbs.)



Open Type, NEMA Size 5 (55 lbs.)



Enclosure Descriptions: See Section 12
Product Number Selection Instructions: See page 1-8

NEMA Full Voltage Power Devices

NEMA Rated Full Voltage Starters - Magnetic

CR306, CR386 Magnetic Starters

Section 1

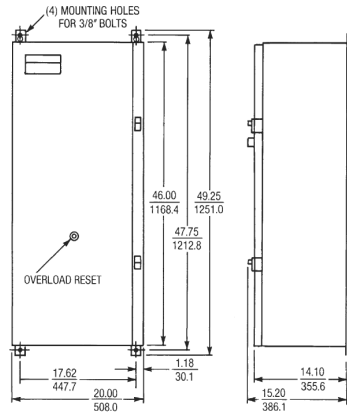
Nonreversing, Non-combination

200 Horsepower Maximum

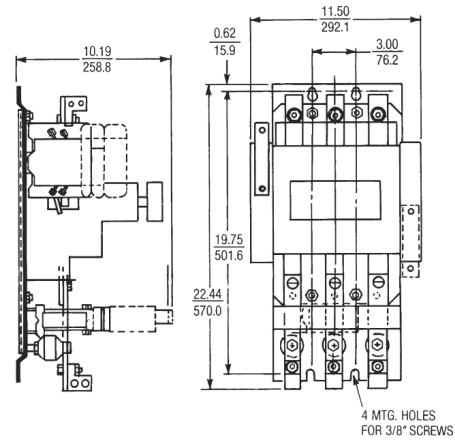
NEMA Sizes 00-5

600 Volts Maximum

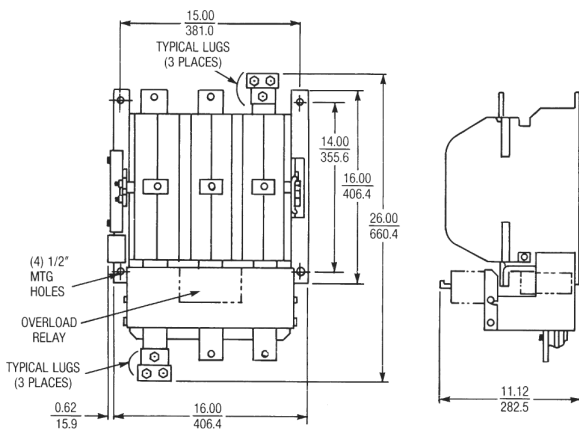
Outlines, Dimensions ($\frac{\text{in.}}{\text{mm}}$) and Weights (For Estimating Only)



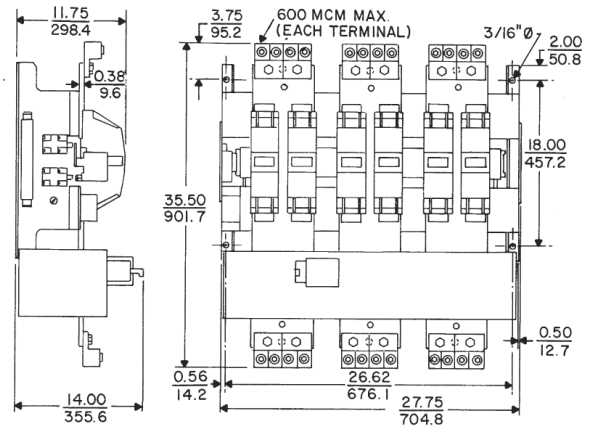
CR306 NEMA Type 1 and 12, Size 6



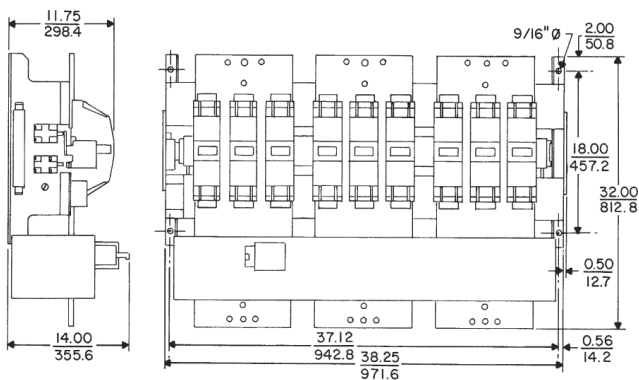
CR306 Open Type, NEMA Size 6



CR386 Open Type, NEMA Size 7, 115 lbs.



CR386 Open Type, NEMA Size 8



CR386 Open Type, NEMA Size 9



Product Number Selection Instructions: See page 1-8

NEMA Full Voltage Power Devices

NEMA Rated Full Voltage Starters - Magnetic

CR306, CR386 Magnetic Starters

Section 1

Nonreversing, Non-combination

200 Horsepower Maximum

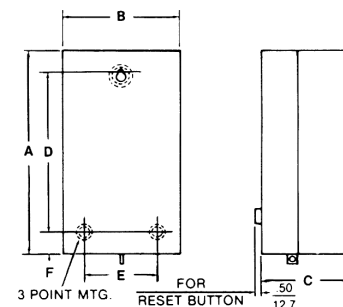
NEMA Sizes 00-5

600 Volts Maximum

Outlines, Dimensions in. (mm) and Weights (For Estimating Only)

CR306 NEMA Type 1 NEMA Sizes 00-4

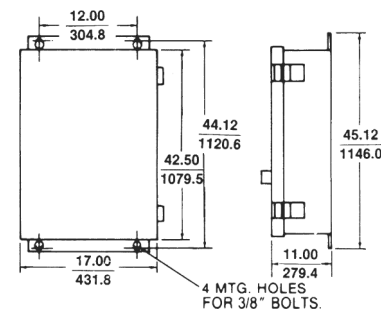
| NEMA Size | Dimension A | Dimension B | Dimension C | Dimension D | Dimension E | Dimension F | Mounting Screw Size | Shipping Weight (lbs) |
|-----------|---------------|--------------|--------------|---------------|--------------|-------------|---------------------|-----------------------|
| 00, 0, 1 | 10.00 (254.0) | 6.00 (152.4) | 4.63 (117.6) | 8.00 (203.2) | 4.00 (101.6) | 1.00 (25.4) | #10 | 5 1/2 |
| 2 | 13.25 (336.6) | 7.38 (187.4) | 6.13 (155.6) | 11.00 (279.4) | 5.00 (127.0) | 1.13 (28.7) | 1/4" | 13 |
| 3 | 20.25 (514.4) | 8.75 (222.2) | 7.31 (185.7) | 17.00 (431.8) | 5.75 (146.0) | 1.88 (47.6) | 1/4" | 35 |
| 4 | 25.00 (635.0) | 8.75 (222.2) | 7.31 (185.7) | 22.00 (558.8) | 5.75 (146.0) | 1.50 (38.1) | 1/4" | 38 |



NEMA Type 1, Sizes 00-4

CR306 NEMA Type 1 NEMA Size 5

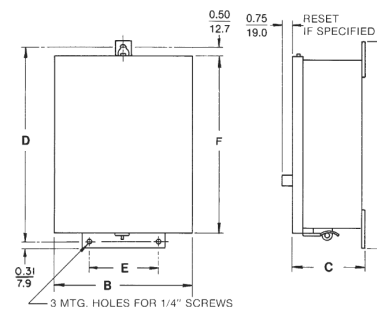
See Diagram For Dimensions



NEMA Type 1, Size 5 (134 lbs.)

CR306 NEMA Type 12 NEMA Sizes 0-2

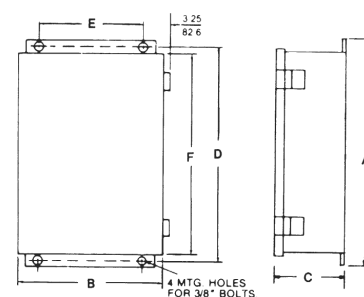
| NEMA Size | Dimension A | Dimension B | Dimension C | Dimension D | Dimension E | Dimension F | Shipping Weight (lbs) |
|-----------|---------------|--------------|--------------|---------------|--------------|---------------|-----------------------|
| 0, 1 | 11.63 (295.4) | 6.25 (158.8) | 4.75 (120.6) | 11.00 (279.4) | 3.00 (76.2) | 10.25 (260.4) | 9 1/2 |
| 2 | 14.63 (371.6) | 7.63 (193.8) | 6.25 (158.8) | 14.00 (355.6) | 4.38 (111.2) | 13.25 (366.6) | 15 |



NEMA Type 12, Sizes 0-2

CR306 NEMA Type 12 NEMA Sizes 3-5

| NEMA Size | Dimension A | Dimension B | Dimension C | Dimension D | Dimension E | Dimension F | Shipping Weight (lbs) |
|-----------|----------------|---------------|---------------|----------------|---------------|----------------|-----------------------|
| 3 | 24.00 (609.6) | 10.50 (266.7) | 7.25 (184.2) | 23.00 (584.2) | 5.75 (146.1) | 21.25 (539.8) | 43 |
| 4 | 30.00 (762.0) | 10.50 (266.7) | 7.25 (184.2) | 29.00 (736.6) | 5.75 (146.1) | 27.25 (692.2) | 48 |
| 5 | 45.50 (1155.7) | 17.00 (431.8) | 10.25 (260.4) | 44.50 (1130.3) | 12.00 (304.8) | 42.75 (1085.9) | 154 |



NEMA Type 12, Sizes 3-5

